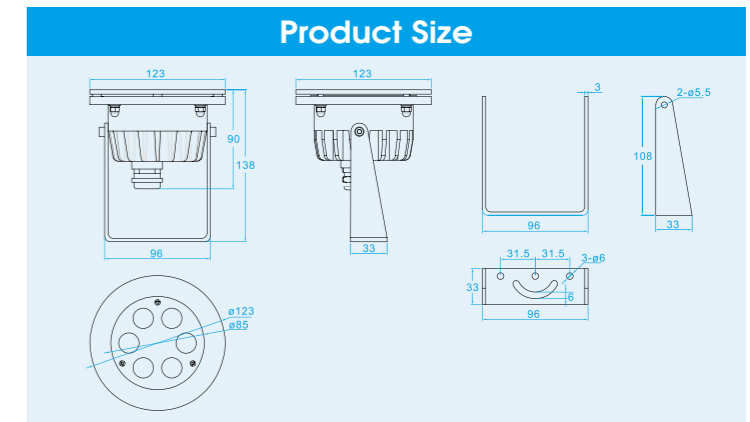


Specification

Model No.:	RS-UW9W316X(88101)
Front cover & Housing:	Stainless steel 316L
Dimensions:	D93*H120mm
Tempered Glass:	12mm thickness
LED chip:	Cree / Edison
LED Q'ty:	3pcs 3W LED
Cable gland:	Stainless steel 316L PG13.5
Driver:	Constant current driver
Lens:	Clear, Bead, Frosted
Beam Angle Options:	10° 30° 45° 60° 90°
Power Cable:	3/18AWG or 5/18AWG SOOW rubber cable
Protection Class:	IP68
Environment:	Dry / Submerged
Mounting Hardware:	Surface Mounted System
Net Weight:	1.5kgs with 1.5m cable
Lifetime:	>50000H

Order information

Item code	Color	Light source(w)	Line Way	Input Voltage (v)	Operating current (mA)	Consumption (w)	Luminous flux (lm)
88101.033.01	2700-3000K	3*3	V+/V-	AC/DC12-24	750 / 375	9	420
88101.033.02	4000-4500K	3*3	V+/V-	AC/DC12-24	750 / 375	9	445
88101.033.03	5000-5500K	3*3	V+/V-	AC/DC12-24	750 / 375	9	465
88101.033.04	6000-6500K	3*3	V+/V-	AC/DC12-24	750 / 375	9	465
88101.033.05	Red	3*3	V+/V-	AC/DC12-24	500 / 250	6	105
88101.033.06	Green	3*3	V+/V-	AC/DC12-24	750 / 375	9	270
88101.033.07	Blue	3*3	V+/V-	AC/DC12-24	750 / 375	9	120
88101.033.08	Yellow	3*3	V+/V-	AC/DC12-24	750 / 375	9	285
88101.033.09	RGB-DMX512 [3 channel]	3*3	V+ /V-/D+/D-/GND	AC/DC12-24	R: 166 / 83 G: 250 / 125 B: 250 / 125	R: 2 G: 3 B: 3	R: 35 G: 90 B: 40
88101.033.11	Auto changing color	3*3	V+/V-	AC12-24	R: 250 / 125 G: 250 / 125 B: 250 / 125	R: 3 G: 3 B: 3	R: 75 G: 180 B: 90



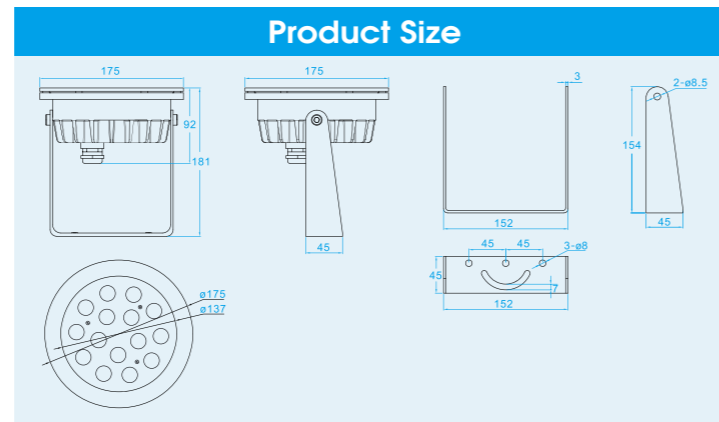
Specification

Model No.:	RS-UW18W316X(88105) / RS-UW24W316X(88105)
Front cover & Housing:	Stainless steel 316L
Dimensions:	D123*H138mm
Tempered Glass:	8mm thickness
LED chip:	Cree / Edison
LED Q'ty:	6pcs 3W LED / 6pcs 3in1 LED / 6pcs 4in1 LED
Cable gland:	Stainless steel 316L PG13.5
Driver:	Constant current driver
Lens:	Clear, Bead, Frosted
Beam Angle Options:	10° 20° 30° 45° 60° 90°
Power Cable:	3/18AWG or 5/18AWG SOOW rubber cable
Protection Class:	IP68
Environment:	Dry / Submerged
Mounting Hardware:	Surface Mounted System
Net Weight:	2kgs with 1.5m cable
Lifetime:	>50000H

Order information

Item code	Color	Light source(w)	Line Way	Input Voltage (v)	Operating current (mA)	Consumption (w)	Luminous flux (lm)
88105.063.01	2700-3000K	6*3	V+/V-	AC/DC12-24	1500 / 750	18	840
88105.063.02	4000-4500K	6*3	V+/V-	AC/DC12-24	1500 / 750	18	888
88105.063.03	5000-5500K	6*3	V+/V-	AC/DC12-24	1500 / 750	18	930
88105.063.04	6000-6500K	6*3	V+/V-	AC/DC12-24	1500 / 750	18	930
88105.063.05	Red	6*3	V+/V-	AC/DC12-24	1000 / 500	12	210
88105.063.06	Green	6*3	V+/V-	AC/DC12-24	1500 / 750	18	540
88105.063.07	Blue	6*3	V+/V-	AC/DC12-24	1500 / 750	18	240
88105.063.08	Yellow	6*3	V+/V-	AC/DC12-24	1500 / 750	18	570
88105.063.09	RGB-DMX512 [3 channel]	6*3	V+ /V-/D+/D-/GND	AC/DC12-24	R: 333 / 166 G: 500 / 250 B: 500 / 250	R: 4 G: 6 B: 6	R: 70 G: 180 B: 80
88105.063.10	RGB-DMX512 [3 channel]	6*3in1	V+ /V-/D+/D-/GND	AC/DC12-24	R: 500 / 250 G: 500 / 250 B: 500 / 250	R: 6 G: 6 B: 6	R: 150 G: 360 B: 180
88105.063.11	Auto changing color	6*3	V+/V-	AC12-24	R: 333 / 166 G: 500 / 250 B: 500 / 250	R: 4 G: 6 B: 6	R: 70 G: 180 B: 80
88105.063.13	RGBV+ [build-in CC driver]	6*3	R/G/B/V+	DC12-24	R: 333 / 166 G: 500 / 250 B: 500 / 250	R: 4 G: 6 B: 6	R: 70 G: 180 B: 80
88105.064.14	RGBW-DMX512 [4 channel]	6*4in1	V+ /V-/D+/D-/GND	DC24	R: 250 G: 250 B: 250 W: 250	R: 6 G: 6 B: 6 W: 6	R: 150 G: 360 B: 180 W: 540



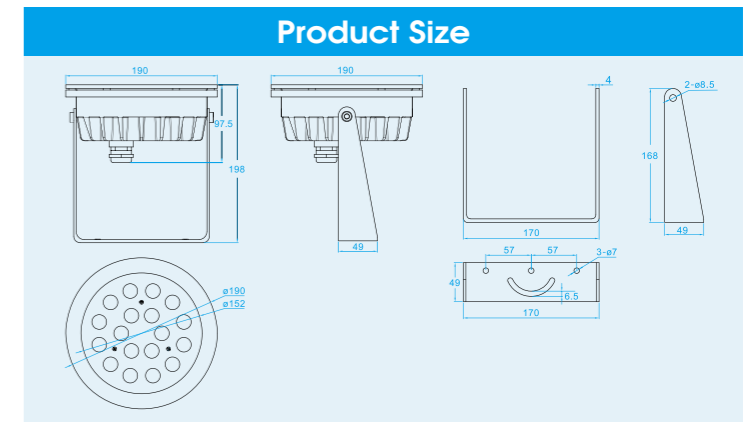


Specification

Model No.:	RS-UW45W316X(88107) / RS-UW64W316X(88107)
Front cover & Housing:	Stainless steel 316L
Dimensions:	D175*H181mm
Tempered Glass:	8mm thickness
LED chip:	Cree / Edison
LED Q'ty:	15pcs 3W LED / 15pcs 3in1 LED / 16pcs 4in1 LED
Cable gland:	Stainless steel 316L PG13.5
Driver:	Constant current driver
Lens:	Clear, Bead, Frosted
Beam Angle Options:	10° 20° 30° 45° 60° 90°
Power Cable:	3/18AWG or 5/18AWG SOOW rubber cable
Protection Class:	IP68
Environment:	Dry / Submerged
Mounting Hardware:	Surface Mounted System
Net Weight:	4kgs with 1.5m cable
Lifetime:	>50000H

Order information

Item code	Color	Light source(w)	Line Way	Input Voltage (v)	Operating current (mA)	Consumption (w)	Luminous flux (lm)
88107.153.01	2700-3000K	15*3	V+/V-	AC/DC24	1875	45	2100
88107.153.02	4000-4500K	15*3	V+/V-	AC/DC24	1875	45	2220
88107.153.03	5000-5500K	15*3	V+/V-	AC/DC24	1875	45	2325
88107.153.04	6000-6500K	15*3	V+/V-	AC/DC24	1875	45	2325
88107.153.05	Red	15*3	V+/V-	AC/DC24	1250	30	525
88107.153.06	Green	15*3	V+/V-	AC/DC24	1875	45	1350
88107.153.07	Blue	15*3	V+/V-	AC/DC24	1875	45	600
88107.153.08	Yellow	15*3	V+/V-	AC/DC24	1875	45	1425
88107.153.09	RGB-DMX512 (3 channel)	15*3	V+ /V-/D+ /D-/GND	DC24	R: 415 G: 625 B: 625	R: 10 G: 15 B: 15	R: 175 G: 450 B: 200
88107.153.10	RGB-DMX512 (3 channel)	15*3in1	V+ /V-/D+ /D-/GND	DC24	R: 625 G: 625 B: 625	R: 15 G: 15 B: 15	R: 375 G: 900 B: 450
88107.153.11	Auto changing color	15*3	V+/V-	AC24	R: 415 G: 625 B: 625	R: 10 G: 15 B: 15	R: 175 G: 450 B: 200
88107.153.13	RGBV+ (build-in CC driver)	15*3	R/G/B/V+	DC24	R: 415 G: 625 B: 625	R: 10 G: 15 B: 15	R: 175 G: 450 B: 200
88107.164.14	RGBW-DMX512 (4 channel)	16*4in1	V+ /V-/D+ /D-/GND	DC24	R: 666 G: 666 B: 666 W: 666	R: 16 G: 16 B: 16 W: 16	R: 400 G: 960 B: 480 W: 1440



Specification

Model No.:	RS-UW54W316X(88108) / RS-UW72W316X(88108) / RS-UW96W316X(88108)
Front cover & Housing:	Stainless steel 316L
Dimensions:	D190*H198mm
Tempered Glass:	8mm thickness
LED chip:	Cree / Edison
LED Q'ty:	18pcs 3W LED / 18pcs 3in1 LED / 18pcs 4in1 LED / 24pcs 3in1 LED / 24pcs 4in1 LED
Cable gland:	Stainless steel 316L PG13.5
Driver:	Constant current driver
Lens:	Clear, Bead, Frosted
Beam Angle Options:	10° 20° 30° 45° 60° 90°
Power Cable:	3/18AWG or 5/18AWG SOOW rubber cable
Protection Class:	IP68
Environment:	Dry / Submerged
Mounting Hardware:	Surface Mounted System
Net Weight:	4.5kgs with 1.5m cable
Lifetime:	>50000H

Order information

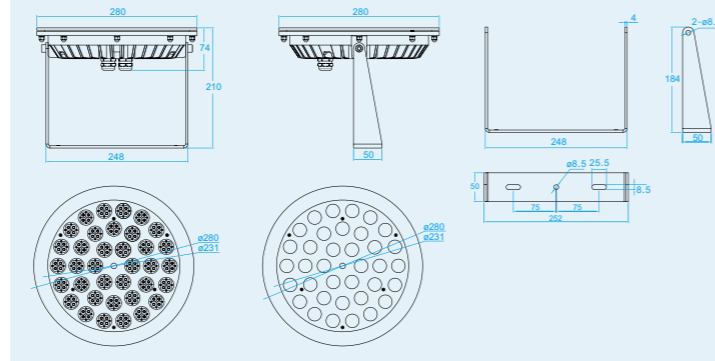
Item code	Color	Light source(w)	Line Way	Input Voltage (v)	Operating current (mA)	Consumption (w)	Luminous flux (lm)
88108.183.01	2700-3000K	18*3	V+/V-	AC/DC24	2250	54	2520
88108.183.02	4000-4500K	18*3	V+/V-	AC/DC24	2250	54	2664
88108.183.03	5000-5500K	18*3	V+/V-	AC/DC24	2250	54	2790
88108.183.04	6000-6500K	18*3	V+/V-	AC/DC24	2250	54	2790
88108.183.05	Red	18*3	V+/V-	AC/DC24	1500	36	630
88108.183.06	Green	18*3	V+/V-	AC/DC24	2250	54	1620
88108.183.07	Blue	18*3	V+/V-	AC/DC24	2250	54	720
88108.183.08	Yellow	18*3	V+/V-	AC/DC24	2250	54	1710
88108.183.09	RGB-DMX512 (3 channel)	18*3	V+ /V-/D+ /D-/GND	DC24	R: 500 G: 750 B: 750	R: 12 G: 18 B: 18	R: 210 G: 540 B: 240
88108.183.10	RGB-DMX512 (3 channel)	18*3in1	V+ /V-/D+ /D-/GND	DC24	R: 750 G: 750 B: 750	R: 18 G: 18 B: 18	R: 360 G: 1080 B: 540
88108.183.11	Auto changing color	18*3	V+/V-	AC24	R: 500 G: 750 B: 750	R: 12 G: 18 B: 18	R: 210 G: 540 B: 240
88108.183.13	RGBV+ (build-in CC driver)	18*3	R/G/B/V+	DC24	R: 500 G: 750 B: 750	R: 12 G: 18 B: 18	R: 210 G: 540 B: 240
88108.243.14	RGB-DMX512 (3 channel)	24*3in1	V+ /V-/D+ /D-/GND	DC24	R: 1000 G: 1000 B: 1000	R: 24 G: 24 B: 24	R: 600 G: 1440 B: 720
88108.244.15	RGBW-DMX512 (4 channel)	24*4in1	V+ /V-/D+ /D-/GND	DC24	R: 1000 G: 1000 B: 1000 W: 1000	R: 24 G: 24 B: 24 W: 24	R: 600 G: 1440 B: 720 W: 1680
88108.184.16	RGBW-DMX512 (4 channel)	18*4in1	V+ /V-/D+ /D-/GND	DC24	R: 750 G: 750 B: 750 W: 750	R: 18 G: 18 B: 18 W: 18	R: 450 G: 1080 B: 540 W: 1620



Version A



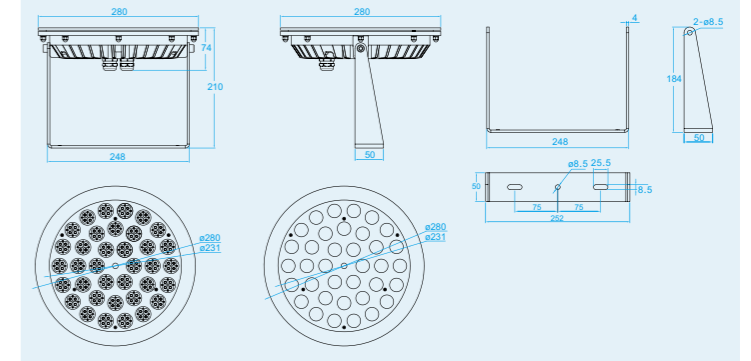
Product Size



Version B



Product Size



Specification

Model No.:	RS-UW180W316X(88185) / RS-UW252W316X(88185)
Front cover & Housing:	Stainless steel 316L
Dimensions:	D280*H210mm
Tempered Glass:	8mm thickness
LED chip:	CREE
LED Q'ty:	108pcs 3W LED / 144pcs 3W LED
Cable gland:	Stainless steel 316L PG13.5*2pcs
Driver:	Constant current driver
Lens:	Clear, Bead, Frosted
Beam Angle Options:	10° 30° 60°
Power Cable:	1.5M 2/14SOW+1.5M Shielded DMX cable
Protection Class:	IP68
Environment:	Dry / Submerged
Mounting Hardware:	Surface Mounted System
Net Weight:	10.5kgs with 1.5m cable
Lifetime:	>50000H

Specification

Model No.:	RS-UW108W316X(88185) / RS-UW144W316X(88185)
Front cover & Housing:	Stainless steel 316L
Dimensions:	D280*H210mm
Tempered Glass:	8mm thickness
LED chip:	Cree / Edison
LED Q'ty:	36pcs 3in1 LED / 36pcs 4in1 LED
Cable gland:	Stainless steel 316L PG13.5*2pcs
Driver:	Constant current driver
Lens:	Clear, Bead, Frosted
Beam Angle Options:	30° 60° 90°
Power Cable:	1.5M SOW2/14+1.5M Shielded DMX cable
Protection Class:	IP68
Environment:	Dry / Submerged
Mounting Hardware:	Surface Mounted System
Net Weight:	10.5kgs with 1.5m cable
Lifetime:	>50000H

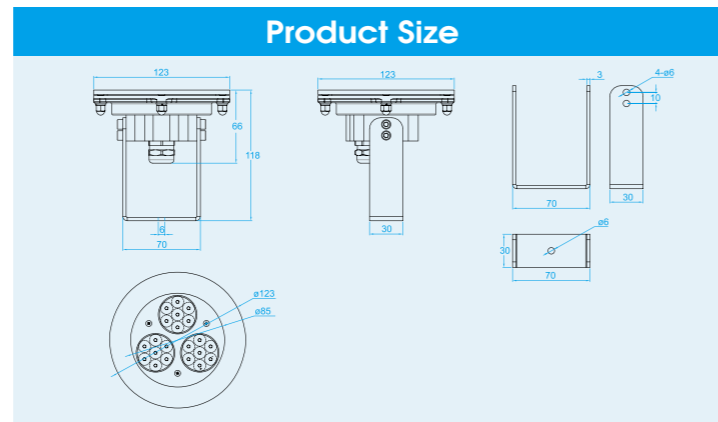
Order information

Item code	Color	Light source(w)	Line Way	Input Voltage (v)	Operating current (mA)	Consumption (w)	Luminous flux (lm)
88185.1083.01	2700-3000K	108*3	V+/V-	DC24	6250	150	10800
88185.1083.02	4000-4500K	108*3	V+/V-	DC24	6250	150	11880
88185.1083.03	5000-5500K	108*3	V+/V-	DC24	6250	150	12960
88185.1083.04	6000-6500K	108*3	V+/V-	DC24	6250	150	12960
88185.1083.09	RGB-DMX512 (3 channel)	108*3	V+ /V- /D+ /D- /GND	DC24	R: 1600 G: 2500 B: 2500	R: 40 G: 60 B: 60	R: 1260 G: 2880 B: 3960
88185.1443.14	RGBW-DMX512 (4 channel)	144*3	V+ /V- /D+ /D- /GND	DC24	R: 2500 G: 2500 B: 2500 W: 2500	R: 40 G: 60 B: 50 W: 50	R: 1260 G: 2880 B: 1080 W: 3960

Order information

Item code	Color	Light source(w)	Line Way	Input Voltage (v)	Operating current (mA)	Consumption (w)	Luminous flux (lm)
88185.363.15	RGB-DMX512 (3 channel)	36*3in1	V+ /V- /D+ /D- /GND	DC24	R: 1500 G: 1500 B: 1500	R: 36 G: 36 B: 36	R: 900 G: 2160 B: 1080
88185.364.16	RGBW-DMX512 (4 channel)	36*4in1	V+ /V- /D+ /D- /GND	DC24	R: 1500 G: 1500 B: 1500 W: 1500	R: 36 G: 36 B: 36 W: 36	R: 900 G: 2160 B: 1080 W: 3240



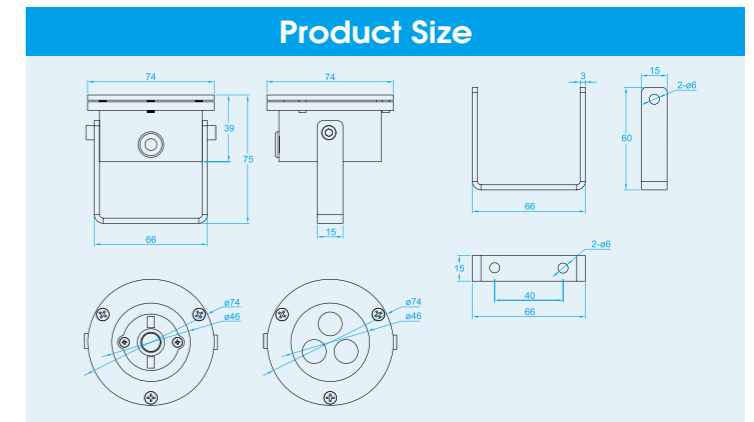


Specification

Model No.:	RS-UW18W316X-C(88175) / RS-UW27W316X-C(88175)
Front cover & Housing:	Stainless steel 316L
Dimensions:	L123*H118mm
Tempered Glass:	8mm thickness
LED chip:	Cree
LED Q'ty:	18pcs 1W LED / 18pcs 3W LED / 21pcs 3W LED
Cable gland:	Stainless steel 316L PG13.5
Driver:	Constant current driver
Lens:	Clear, Bead
Beam Angle Options:	10° 30° 60°
Power Cable:	3/18AWG or 5/18AWG SOOW rubber cable
Protection Class:	IP68
Environment:	Dry / Submerged
Mounting Hardware:	Surface Mounted System
Net Weight:	1.6kgs with 1.5m cable
Lifetime:	>50000H

Order information

Item code	Color	Light source(w)	Line Way	Input Voltage (v)	Operating current (mA)	Consumption (w)	Luminous flux (lm)
88175.181.01	2700-3000K	18*1	V+/V-	DC24	750	18	1620
88175.181.02	4000-4500K	18*1	V+/V-	DC24	750	18	1710
88175.181.03	5000-5500K	18*1	V+/V-	DC24	750	18	1800
88175.181.04	6000-6500K	18*1	V+/V-	DC24	750	18	1800
88175.181.05	Red	18*1	V+/V-	DC24	500	12	420
88175.181.06	Green	18*1	V+/V-	DC24	750	18	1080
88175.181.07	Blue	18*1	V+/V-	DC24	750	18	540
88175.181.08	Yellow	18*1	V+/V-	DC24	750	18	1260
88175.183.09	RGB-DMX512 (3 channel)	18*3	V+ /V-/D+/D-/GND	DC24	R: 375 G: 375 B: 375	R: 9 G: 9 B: 9	R: 315 G: 720 B: 360
88175.213.12	RGBW-DMX512 (4 channel)	21*3	V+ /V-/D+/D-/GND	DC24	R: 333 G: 333 B: 333 W: 167	R: 8 G: 8 B: 8 W: 4	R: 280 G: 640 B: 240 W: 380



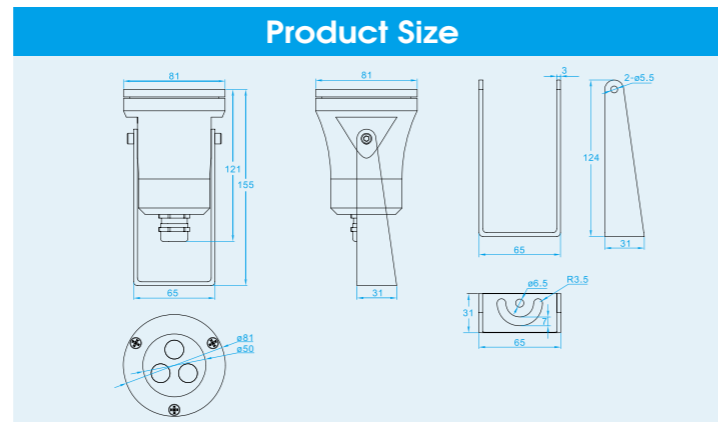
Specification

Model No.:	RS-UW9W316X-C(88179)
Front cover & Housing:	Stainless steel 316L
Dimensions:	D74*H75mm
Tempered Glass:	3mm thickness
LED chip:	Cree
LED Q'ty:	3pcs 3W LED / 3pcs 3in1 LED / 3pcs 4in1 LED
Cable gland:	/
Driver:	Constant current driver
Lens:	Clear, Bead, Frosted
Beam Angle Options:	10° 30° 60°
Power Cable:	4*0.75mm ² / 2*1.0+3*0.5mm ² VDE rubber cable
Protection Class:	IP68
Environment:	Dry / Submerged
Mounting Hardware:	Surface Mounted System
Net Weight:	0.85kgs with 1.5m cable
Lifetime:	>50000H

Order information

Item code	Color	Light source(w)	Line Way	Input Voltage (v)	Operating current (mA)	Consumption (w)	Luminous flux (lm)	
88179.033.01	2700-3000K	3*3	V+/V-	AC/DC12-24	750 / 375	9	420	
88179.033.02	4000-4500K	3*3	V+/V-	AC/DC12-24	750 / 375	9	445	
88179.033.03	5000-5500K	3*3	V+/V-	AC/DC12-24	750 / 375	9	465	
88179.033.04	6000-6500K	3*3	V+/V-	AC/DC12-24	750 / 375	9	465	
88179.033.05	Red	3*3	V+/V-	AC/DC12-24	500 / 250	6	105	
88179.033.06	Green	3*3	V+/V-	AC/DC12-24	750 / 375	9	270	
88179.033.07	Blue	3*3	V+/V-	AC/DC12-24	750 / 375	9	120	
88179.033.08	Yellow	3*3	V+/V-	AC/DC12-24	750 / 375	9	285	
88179.033.09	RGB-DMX512 (3 channel)	3*3	V+ /V-/D+/D-/GND	AC/DC12-24	R: 166 / 83 B: 250 / 125	G: 250 / 125	R: 2 G: 3 B: 3	R: 35 G: 90 B: 40
88179.033.10	RGB-DMX512 (3 channel)	3*3in1	V+ /V-/D+/D-/GND	AC/DC12-24	R: 250 / 125 B: 250 / 125	G: 250 / 125	R: 3 G: 3 B: 3	R: 75 G: 180 B: 90
88179.033.12	RGBV+ (build-in CC driver)	3*3	R/G/B/V+	DC12-24	R: 250 / 125 B: 250 / 125	G: 250 / 125	R: 3 G: 3 B: 3	R: 75 G: 180 B: 90
88179.033.13	RGBV+ (build-in CC driver)	3*3in1	R/G/B/V+	DC12-24	R: 250 / 125 B: 250 / 125	G: 250 / 125	R: 3 G: 3 B: 3	R: 75 G: 180 B: 90
88179.034.14	RGBW-DMX512 (4 channel)	3*4in1	V+ /V-/D+/D-/GND	DC24	R: 125 G: 125 B: 125 W: 125		R: 3 G: 3 B: 3 W: 3	R: 75 G: 180 B: 90 W: 270



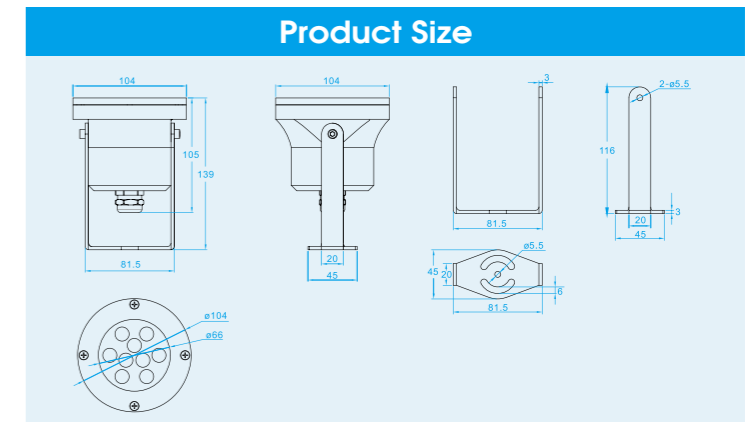


Specification

Model No.:	RS-UW9W316X-A(88131)
Front cover & Housing:	Stainless steel 316L
Dimensions:	D81*H155mm
Tempered Glass:	8mm thickness
LED chip:	Cree / Edison
LED Q'ty:	3pcs 3W LED / 3pcs 3in1 LED / 3pcs 4in1 LED
Cable gland:	Stainless steel 316L PG13.5
Driver:	Constant current driver
Lens:	Clear, Bead, Frosted
Beam Angle Options:	25° 40°
Power Cable:	3/18AWG or 5/18AWG SOOW rubber cable
Protection Class:	IP68
Environment:	Dry / Submerged
Mounting Hardware:	Surface Mounted System
Net Weight:	2.0kgs with 1.5m cable
Lifetime:	>50000H

Order information

Item code	Color	Light source(w)	Line Way	Input Voltage (v)	Operating current (mA)	Consumption (w)	Luminous flux (lm)
88131.033.01	2700-3000K	3*3	V+/V-	AC/DC12-24	750 / 375	9	420
88131.033.02	4000-4500K	3*3	V+/V-	AC/DC12-24	750 / 375	9	445
88131.033.03	5000-5500K	3*3	V+/V-	AC/DC12-24	750 / 375	9	465
88131.033.04	6000-6500K	3*3	V+/V-	AC/DC12-24	750 / 375	9	465
88131.033.05	Red	3*3	V+/V-	AC/DC12-24	500 / 250	6	105
88131.033.06	Green	3*3	V+/V-	AC/DC12-24	750 / 375	9	270
88131.033.07	Blue	3*3	V+/V-	AC/DC12-24	750 / 375	9	120
88131.033.08	Yellow	3*3	V+/V-	AC/DC12-24	750 / 375	9	285
88131.033.09	RGB-DMX512 (3 channel)	3*3	V+ /V-/D+/D-/GND	AC/DC12-24	R: 166 / 83 B: 250 / 125 G: 250 / 125	R: 2 B: 3 G: 3	R: 35 B: 40 G: 90
88131.033.10	RGB-DMX512 (3 channel)	3*3in1	V+ /V-/D+/D-/GND	AC/DC12-24	R: 250 / 125 B: 250 / 125 G: 250 / 125	R: 3 B: 3 G: 3	R: 75 B: 90 G: 180
88131.033.11	Auto changing color	3*3in1	V+/V-	AC12-24	R: 250 / 125 B: 250 / 125 G: 250 / 125	R: 3 B: 3 G: 3	R: 75 B: 90 G: 180
88131.033.13	RGBV+ (build-in CC driver)	3*3in1	R/G/B/V+	DC12-24	R: 250 / 125 B: 250 / 125 G: 250 / 125	R: 3 B: 3 G: 3	R: 75 B: 90 G: 180
88131.034.14	RGBW-DMX512 (4 channel)	3*4in1	V+ /V-/D+/D-/GND	DC24	R: 125 B: 125 G: 125 W: 125	R: 3 B: 3 G: 3 W: 3	R: 75 B: 90 G: 180 W: 270



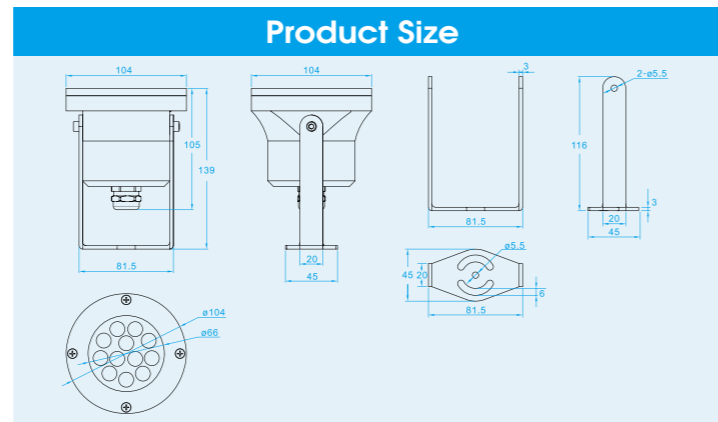
Specification

Model No.:	RS-UW27W316X-B(88136) / RS-UW24W316X-B(88136)
Front cover & Housing:	Stainless steel 316L
Dimensions:	D104*H139mm
Tempered Glass:	8mm thickness
LED chip:	Cree
LED Q'ty:	9pcs 3W LED / 6pcs 4in1 LED
Cable gland:	Stainless steel 316L PG13.5
Driver:	Constant current driver
Lens:	Bead
Beam Angle Options:	10° 30° 45° 60° 80°
Power Cable:	3/18AWG or 5/18AWG SOOW rubber cable
Protection Class:	IP68
Environment:	Dry / Submerged
Mounting Hardware:	Surface Mounted System
Net Weight:	2.7kgs with 1.5m cable
Lifetime:	>50000H

Order information

Item code	Color	Light source(w)	Line Way	Input Voltage (v)	Operating current (mA)	Consumption (w)	Luminous flux (lm)
88136.093.01	2700-3000K	9*3	V+/V-	AC/DC12-24	2250 / 1125	27	1260
88136.093.02	4000-4500K	9*3	V+/V-	AC/DC12-24	2250 / 1125	27	1330
88136.093.03	5000-5500K	9*3	V+/V-	AC/DC12-24	2250 / 1125	27	1395
88136.093.04	6000-6500K	9*3	V+/V-	AC/DC12-24	2250 / 1125	27	1395
88136.093.05	Red	9*3	V+/V-	AC/DC12-24	1500 / 750	18	315
88136.093.06	Green	9*3	V+/V-	AC/DC12-24	2250 / 1125	27	810
88136.093.07	Blue	9*3	V+/V-	AC/DC12-24	2250 / 1125	27	360
88136.093.08	Yellow	9*3	V+/V-	AC/DC12-24	2250 / 1125	27	855
88136.093.09	RGB-DMX512 (3 channel)	9*3	V+ /V-/D+/D-/GND	AC/DC12-24	R: 500 / 250 B: 750 / 375 G: 750 / 375	R: 6 B: 9 G: 9	R: 105 B: 120 G: 270
88136.093.10	Auto changing color	9*3	V+/V-	AC12-24	R: 500 / 250 B: 750 / 375 G: 750 / 375	R: 6 B: 9 G: 9	R: 105 B: 120 G: 270
88136.093.11	RGBV+ (build-in CC driver)	9*3	R/G/B/V+	DC12-24	R: 500 / 250 B: 750 / 375 G: 750 / 375	R: 6 B: 9 G: 9	R: 105 B: 120 G: 270
88136.064.14	RGBW-DMX512 (4 channel)	6*4in1	V+ /V-/D+/D-/GND	DC24	R: 250 B: 250 G: 250 W: 250	R: 6 B: 6 G: 6 W: 6	R: 150 B: 180 G: 360 W: 540



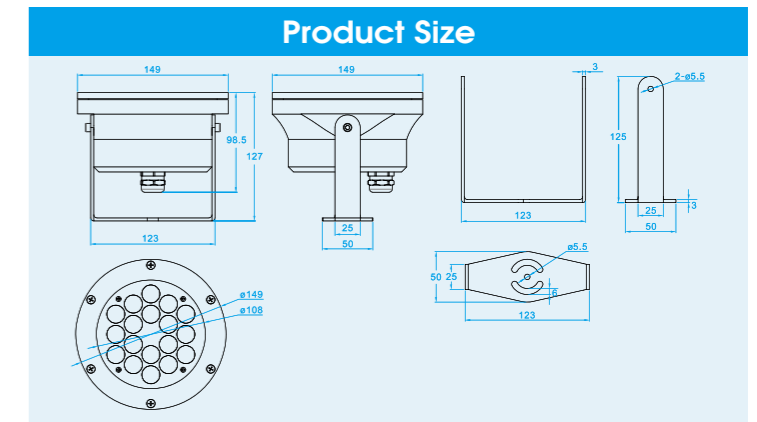


Specification

Model No.:	RS-U45W316X-B(88136)
Front cover & Housing:	Stainless steel 316L
Dimensions:	D104*H139mm
Tempered Glass:	8mm thickness
LED chip:	Cree
LED Q'ty:	12pcs 3W LED / 15pcs 3W LED
Cable gland:	Stainless steel 316L PG13.5
Driver:	Constant current driver
Lens:	Bead
Beam Angle Options:	10° 30° 45° 60° 80°
Power Cable:	3/18AWG or 5/18AWG SOOW rubber cable
Protection Class:	IP68
Environment:	Dry / Submerged
Mounting Hardware:	Surface Mounted System
Net Weight:	2.7kgs with 1.5m cable
Lifetime:	>50000H

Order information

Item code	Color	Light source(w)	Line Way	Input Voltage (v)	Operating current (mA)	Consumption (w)	Luminous flux (lm)
88136.153.01	2700-3000K	15*3	V+/V-	AC/DC24	1875	45	2100
88136.153.02	4000-4500K	15*3	V+/V-	AC/DC24	1875	45	2220
88136.153.03	5000-5500K	15*3	V+/V-	AC/DC24	1875	45	2325
88136.153.04	6000-6500K	15*3	V+/V-	AC/DC24	1875	45	2325
88136.153.05	Red	15*3	V+/V-	AC/DC24	1250	30	525
88136.153.06	Green	15*3	V+/V-	AC/DC24	1875	45	1350
88136.153.07	Blue	15*3	V+/V-	AC/DC24	1875	45	600
88136.153.08	Yellow	15*3	V+/V-	AC/DC24	1875	45	1425
88136.153.09	RGB-DMX512 (3 channel)	15*3	V+ /V-/D+/D-/GND	AC/DC24	R: 415 B: 625 G: 625	R: 10 B: 15 G: 15	R: 175 B: 200 G: 450
88136.153.10	Auto changing color	15*3	V+/V-	AC24	R: 415 B: 625 G: 625	R: 10 B: 15 G: 15	R: 175 B: 200 G: 450
88136.153.11	RGBV+ (build-in CC driver)	15*3	R/G/B/V+	DC24	R: 415 B: 625 G: 625	R: 10 B: 15 G: 15	R: 175 B: 200 G: 450
88136.123.12	RGBW-DMX512 (4 channel)	12*3	V+ /V-/D+/D-/GND	AC/DC24	R: 250 B: 375 W: 375	R: 6 B: 9 W: 9	R: 105 B: 120 G: 270 W: 420



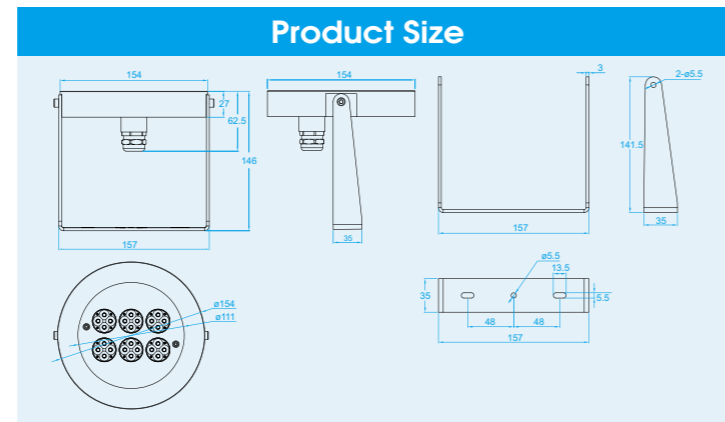
Specification

Model No.:	RS-UW54W316X-A(88137)
Front cover & Housing:	Stainless steel 316L
Dimensions:	D149*H127mm
Tempered Glass:	8mm thickness
LED chip:	Cree / Edison
LED Q'ty:	18pcs 3W LED / 18pcs 3in1 LED
Cable gland:	Stainless steel 316L PG13.5
Driver:	Constant current driver
Lens:	Clear, Bead, Frosted
Beam Angle Options:	10° 20° 30° 45° 60° 90°
Power Cable:	3/18AWG or 5/18AWG SOOW rubber cable
Protection Class:	IP68
Environment:	Dry / Submerged
Mounting Hardware:	Surface Mounted System
Net Weight:	4.5kgs with 1.5m cable
Lifetime:	>50000H

Order information

Item code	Color	Light source(w)	Line Way	Input Voltage (v)	Operating current (mA)	Consumption (w)	Luminous flux (lm)
88137.183.01	2700-3000K	18*3	V+/V-	AC/DC24	2250	54	2520
88137.183.02	4000-4500K	18*3	V+/V-	AC/DC24	2250	54	2664
88137.183.03	5000-5500K	18*3	V+/V-	AC/DC24	2250	54	2790
88137.183.04	6000-6500K	18*3	V+/V-	AC/DC24	2250	54	2790
88137.183.05	Red	18*3	V+/V-	AC/DC24	1500	36	630
88137.183.06	Green	18*3	V+/V-	AC/DC24	2250	54	1620
88137.183.07	Blue	18*3	V+/V-	AC/DC24	2250	54	720
88137.183.08	Yellow	18*3	V+/V-	AC/DC24	2250	54	1710
88137.183.09	RGB-DMX512 (3 channel)	18*3	V+ /V-/D+/D-/GND	AC/DC24	R: 500 B: 750 G: 750	R: 12 B: 18 G: 18	R: 210 B: 240 G: 540
88137.183.10	RGB-DMX512 (3 channel)	18*3in1	V+ /V-/D+/D-/GND	AC/DC24	R: 750 B: 750 G: 750	R: 18 B: 18 G: 18	R: 450 B: 540 G: 1080
88137.183.11	Auto changing color	18*3	V+/V-	AC24	R: 500 B: 750 G: 750	R: 12 B: 18 G: 18	R: 210 B: 240 G: 540
88137.183.12	RGBV+ (build-in CC driver)	18*3	R/G/B/V+	DC24	R: 500 B: 750 G: 750	R: 12 B: 18 G: 18	R: 210 B: 240 G: 540



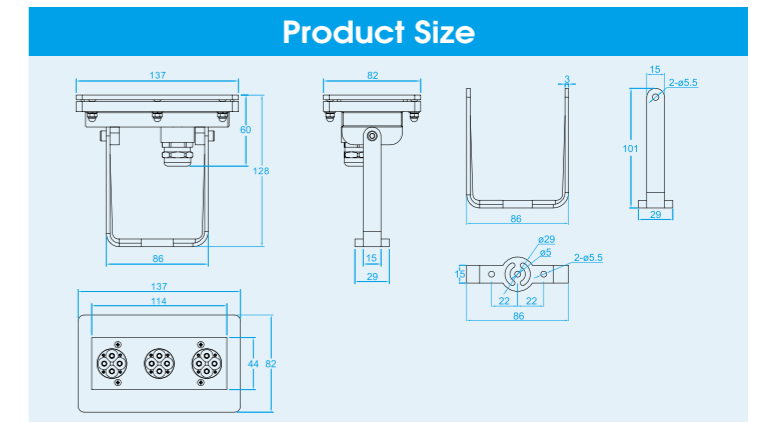


Specification

Model No.:	RS-UW24W316X-AS(88460)
Front cover & Housing:	Stainless steel 316L
Dimensions:	D154*H146mm
Tempered Glass:	8mm thickness
LED chip:	Cree
LED Q'ty:	18pcs 3W LED / 24pcs 3W LED
Cable gland:	Stainless steel 316L PG13.5
Driver:	Constant current driver
Lens:	Clear, Bead
Beam Angle Options:	10° 30° 60°
Power Cable:	3/18AWG or 5/18AWG SOOW rubber cable
Protection Class:	IP68
Environment:	Dry / Submerged
Mounting Hardware:	Surface Mounted System
Net Weight:	2.1kgs with 1.5m cable
Lifetime:	>50000H

Order information

Item code	Color	Light source(w)	Line Way	Input Voltage (v)	Operating current (mA)	Consumption (w)	Luminous flux (lm)
88460.183.01	2700-3000K	18*3	V+/V-	DC24	1000	24	1800
88460.183.02	4000-4500K	18*3	V+/V-	DC24	1000	24	1980
88460.183.03	5000-5500K	18*3	V+/V-	DC24	1000	24	2160
88460.183.04	6000-6500K	18*3	V+/V-	DC24	1000	24	2160
88460.183.05	Red	18*3	V+/V-	DC24	667	16	420
88460.183.06	Green	18*3	V+/V-	DC24	1000	24	1440
88460.183.07	Blue	18*3	V+/V-	DC24	1000	24	540
88460.183.08	Yellow	18*3	V+/V-	DC24	1000	24	1440
88460.183.09	RGB-DMX512 (3 channel)	18*3	V+ /V-/D+/D-/GND	DC24	R: 292 B: 417 G: 417	R: 7 B: 10 G: 10	R: 245 B: 300 G: 800
88460.243.12	RGBW-DMX512 (4 channel)	24*3	V+ /V-/D+/D-/GND	DC24	R: 292 B: 417 G: 417 W: 417	R: 7 B: 10 G: 10 W: 10	R: 245 B: 300 G: 800 W: 900



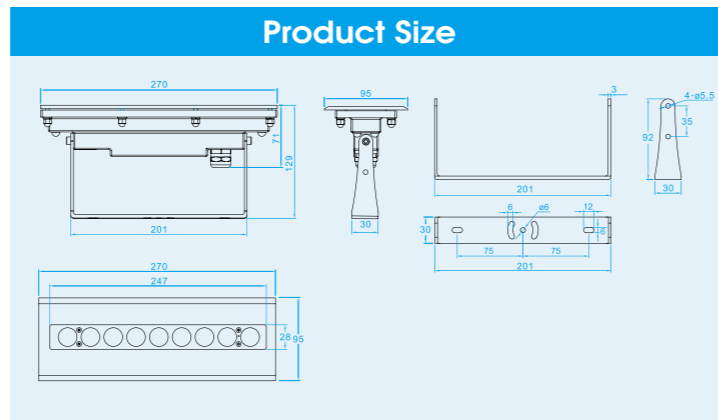
Specification

Model No.:	RS-UW36W316X-L-S(88454)
Front cover & Housing:	Stainless steel 316L
Dimensions:	L137*W82*H128mm
Tempered Glass:	8mm thickness
LED chip:	Cree
LED Q'ty:	9pcs 3W LED / 12pcs 3W LED
Cable gland:	Stainless steel 316L PG13.5
Driver:	Constant current driver
Lens:	Clear, Bead
Beam Angle Options:	10° 30° 60°
Power Cable:	3/18AWG or 5/18AWG SOOW rubber cable
Protection Class:	IP68
Environment:	Dry / Submerged
Mounting Hardware:	Surface Mounted System
Net Weight:	1.8kgs with 1.5m cable
Lifetime:	>50000H

Order information

Item code	Color	Light source(w)	Line Way	Input Voltage (v)	Operating current (mA)	Consumption (w)	Luminous flux (lm)
88454.093.01	2700-3000K	9*3	V+/V-	DC24	750	18	1620
88454.093.02	4000-4500K	9*3	V+/V-	DC24	750	18	1710
88454.093.03	5000-5500K	9*3	V+/V-	DC24	750	18	1800
88454.093.04	6000-6500K	9*3	V+/V-	DC24	750	18	1800
88454.093.05	Red	9*3	V+/V-	DC24	500	12	420
88454.093.06	Green	9*3	V+/V-	DC24	750	18	1080
88454.093.07	Blue	9*3	V+/V-	DC24	750	18	540
88454.093.08	Yellow	9*3	V+/V-	DC24	750	18	1260
88454.093.09	RGB-DMX512 (3 channel)	9*3	V+ /V-/D+/D-/GND	DC24	R: 167 B: 250 G: 250	R: 4 B: 6 G: 6	R: 70 B: 80 G: 180
88454.123.12	RGBW-DMX512 (4 channel)	12*3	V+ /V-/D+/D-/GND	DC24	R: 167 B: 250 G: 250 W: 250	R: 4 B: 6 G: 6 W: 6	R: 70 B: 80 G: 180 W: 540



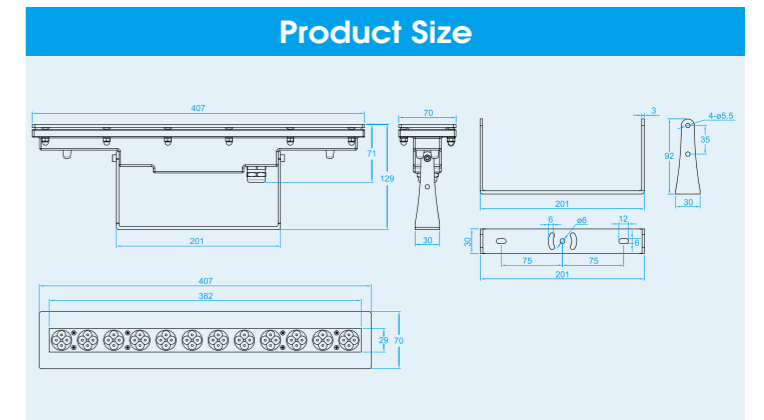


Specification

Model No.:	RS-UW27W316X-L(88138) / RS-UW36W316X-L(88138)
Front cover & Housing:	Stainless steel 316L
Dimensions:	L270*W95*H129mm
Tempered Glass:	8mm thickness
LED chip:	Cree / Edison
LED Q'ty:	9pcs 3W LED / 9pcs 3in1 LED / 9pcs 4in1 LED
Cable gland:	Stainless steel 316L PG13.5
Driver:	Constant current driver
Lens:	Clear, Bead, Frosted
Beam Angle Options:	10° 20° 30° 45° 60° 90°
Power Cable:	3/18AWG or 5/18AWG SOOW rubber cable
Protection Class:	IP68
Environment:	Dry / Submerged
Mounting Hardware:	Surface Mounted System
Net Weight:	3.2kgs with 1.5m cable
Lifetime:	>50000H

Order information

Item code	Color	Light source(w)	Line Way	Input Voltage (v)	Operating current (mA)	Consumption (w)	Luminous flux (lm)
88138.093.01	2700-3000K	9*3	V+/V-	AC/DC12-24	2250 / 1125	27	1260
88138.093.02	4000-4500K	9*3	V+/V-	AC/DC12-24	2250 / 1125	27	1332
88138.093.03	5000-5500K	9*3	V+/V-	AC/DC12-24	2250 / 1125	27	1395
88138.093.04	6000-6500K	9*3	V+/V-	AC/DC12-24	2250 / 1125	27	1395
88138.093.05	Red	9*3	V+/V-	AC/DC12-24	1500 / 750	18	315
88138.093.06	Green	9*3	V+/V-	AC/DC12-24	2250 / 1125	27	810
88138.093.07	Blue	9*3	V+/V-	AC/DC12-24	2250 / 1125	27	360
88138.093.08	Yellow	9*3	V+/V-	AC/DC12-24	2250 / 1125	27	855
88138.093.09	RGB-DMX512 (3 channel)	9*3	V+ /V-/D+/-/GND	AC/DC12-24	R: 500 / 250 B: 750 / 375 G: 750 / 375	R: 6 B: 9 G: 9	R: 105 B: 120 G: 270
88138.093.10	RGB-DMX512 (3 channel)	9*3in1	V+ /V-/D+/-/GND	AC/DC12-24	R: 750 / 375 B: 750 / 375 G: 750 / 375	R: 9 B: 9 G: 9	R: 225 B: 270 G: 540
88138.093.11	RGBV+ (build-in CC driver)	9*3	R/G/B/V+	DC12-24	R: 500 / 250 B: 750 / 375 G: 750 / 375	R: 6 B: 9 G: 9	R: 105 B: 120 G: 270
88138.094.12	RGBW-DMX512 (4 channel)	9*4in1	V+ /V-/D+/-/GND	AC/DC24	R: 375 B: 375 G: 375 W: 375	R: 9 B: 9 G: 9 W: 9	R: 225 B: 270 G: 540 W: 810



Specification

Model No.:	RS-UW60W316X-L(88455)
Front cover & Housing:	Stainless steel 316L
Dimensions:	L407*W70*H129mm
Tempered Glass:	8mm thickness
LED chip:	Cree
LED Q'ty:	36pcs 3W LED / 48pcs 3W LED
Cable gland:	Stainless steel 316L PG13.5
Driver:	Constant current driver
Lens:	Clear, Bead
Beam Angle Options:	10° 30° 60°
Power Cable:	3/18AWG or 5/18AWG SOOW rubber cable
Protection Class:	IP68
Environment:	Dry / Submerged
Mounting Hardware:	Surface Mounted System
Net Weight:	4.0kgs with 1.5m cable
Lifetime:	>50000H

Order information

Item code	Color	Light source(w)	Line Way	Input Voltage (v)	Operating current (mA)	Consumption (w)	Luminous flux (lm)
88455.363.01	2700-3000K	36*3	V+/V-	AC/DC24	1875	45	3600
88455.363.02	4000-4500K	36*3	V+/V-	AC/DC24	1875	45	3960
88455.363.03	5000-5500K	36*3	V+/V-	AC/DC24	1875	45	4320
88455.363.04	6000-6500K	36*3	V+/V-	AC/DC24	1875	45	4320
88455.363.05	Red	36*3	V+/V-	AC/DC24	1500	36	1260
88455.363.06	Green	36*3	V+/V-	AC/DC24	1875	45	2880
88455.363.07	Blue	36*3	V+/V-	AC/DC24	1875	45	1080
88455.363.08	Yellow	36*3	V+/V-	AC/DC24	1875	45	2880
88455.363.09	RGB-DMX512 (3 channel)	36*3	V+ /V-/D+/-/GND	DC24	R: 625 B: 625 G: 625	R: 15 B: 15 G: 15	R: 650 B: 450 G: 900
88455.363.11	Auto changing color	36*3	V+/V-	AC24	R: 625 B: 625 G: 625	R: 15 B: 15 G: 15	R: 650 B: 450 G: 900
88455.363.13	RGBV+ (build-in CC driver)	36*3	R/G/B/V+	DC24	R: 625 B: 625 G: 625	R: 15 B: 15 G: 15	R: 650 B: 450 G: 900
88455.483.14	RGBW-DMX512 (4 channel)	48*3	V+ /V-/D+/-/GND	DC24	R: 625 B: 625 G: 625 W: 625	R: 15 B: 15 G: 15 W: 15	R: 650 B: 450 G: 900 W: 1050

